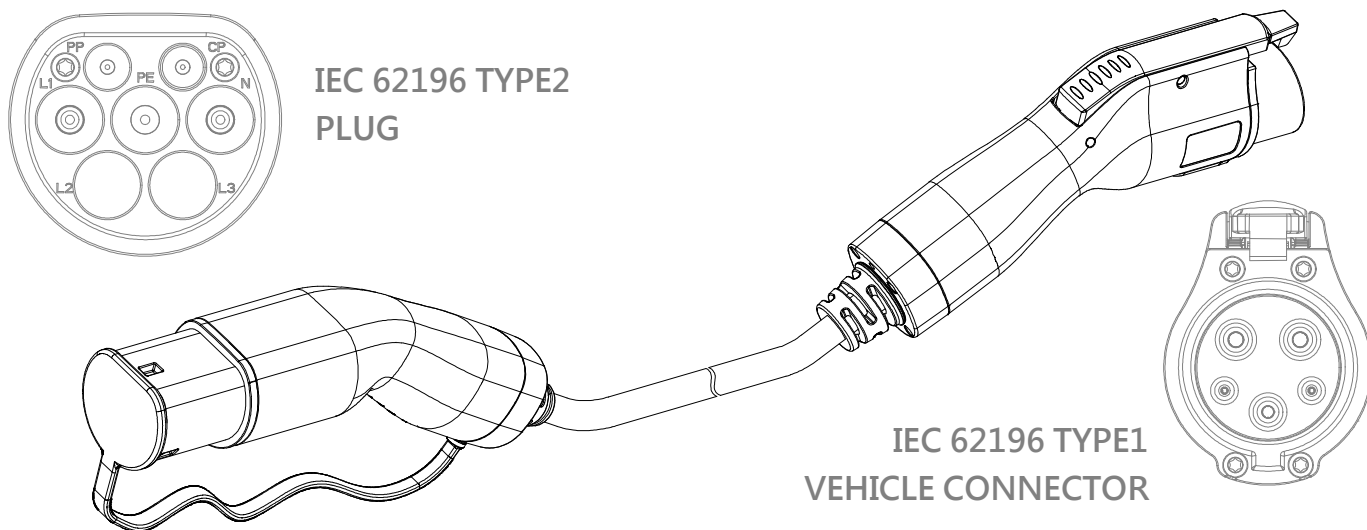


## EV AC 32A Plug-to-Plug Charging Cable Sets (IEC 62196 TYPE1 TO TYPE2)

Ver. : 1.00 Date : 2020.07.06



### 1 Product Features

The products are designed conform to IEC 62196 standard, use for connecting Type 1 EV vehicle to Type 2 charging pile. Cable sets have resistance to outside severe environment, more than 10000 times lifespan, are the best choice for EV AC charging system.

### 2 Material of Main Components

Part	Material	Part	Material
Main Body of Connectors	PC+PBT	Front Bulk/ Back Cap of Connectors	PA66
Terminals	Copper/Brass/Copper Alloy	Sealing Parts	EPDM/Silicone

### 3 Product Spec.

Item No.	V99-27-0002
Type	EV Plug-to-Plug Charging Cable Set
Interface	IEC 62196-2 (TYPE1 TO TYPE2)
Rated Current	AC 32A
Rated Voltage	250V AC
Ingress Protection (With Cap)	IP 54
Operating Temp.	-30°C ~ +50°C
Other reference Standard	IEC 62196-1



## EV AC 32A Plug-to-Plug Charging Cable Sets (IEC 62196 TYPE1 TO TYPE2)

Ver. : 1.00 Date : 2020.07.06

### 4 Wire & Cable Info.

Wire Size	Power	6 mm <sup>2</sup> ×2
	Ground	6 mm <sup>2</sup> ×1
	Control Pilot	0.75 mm <sup>2</sup> ×1
Cable OD		13.0±0.5 mm
Standard Cable Length		5±0.05 m
Cable Color		Black (Matt)
Cable Shape		Straight
Cable Type		EVI-2
Cable Cores		4
Rated Voltage of Cable		450/750V
Cable Certification		EN 50620